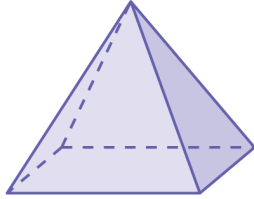


## Quiz Volume & SA Review

1. Match each view of the solid with its appropriate image.



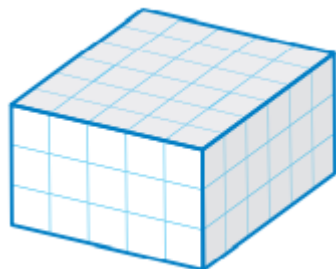
Front View:	
Side View:	
Top View:	

--	--	--

Grade 6 Accel: FL 2023>Chapter 10>Section 10.6: Surface Areas of Rectangular Prisms>10.6: Review & Refresh (1 - 11)> Question #1

2. Use a net to find the area of the entire surface of the solid.



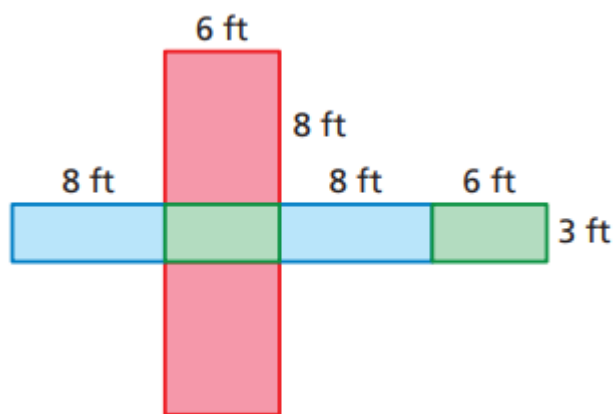
The surface area is  square units.

Explain your reasoning.

**B** / U ☰  $T^2$   $T_2$  0 / 10000 Word Limit

Grade 6 Accel: FL 2023>Chapter 10>Section 10.6: Surface Areas of Rectangular Prisms>10.6: Practice (12 - 29)> Question #13

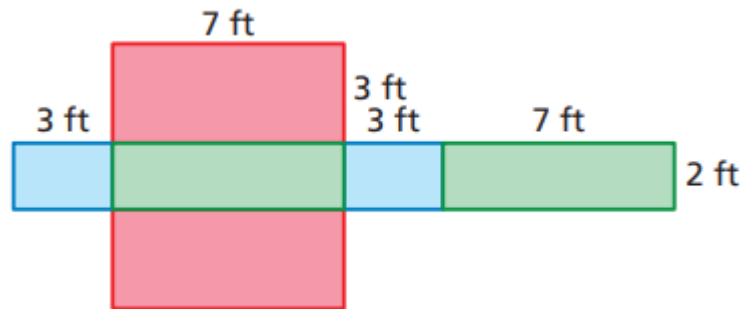
3. Find the surface area of the prism represented by the net.



The surface area is  square feet.

Grade 6 Accel: FL 2023>Chapter 10>Section 10.6: Surface Areas of Rectangular Prisms>10.6: Practice (12 - 29)> Question #15

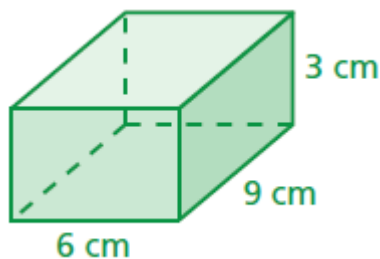
4. Find the surface area of the prism represented by the net.



The surface area is  square feet.

Grade 6 Accel: FL 2023>Chapter 10>Section 10.6: Surface Areas of Rectangular Prisms>10.6: Practice (12 - 29)> Question #16

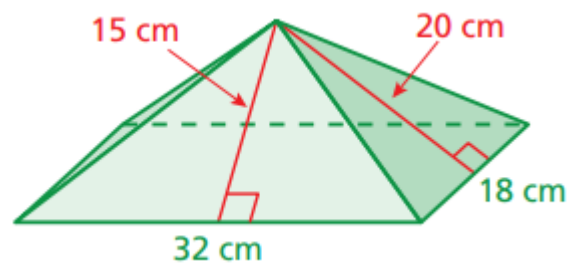
5. Find the surface area of the rectangular prism.



The surface area is  square centimeters.

Grade 6 Accel: FL 2023>Chapter 10>Section 10.6: Surface Areas of Rectangular Prisms>10.6: Practice (12 - 29)> Question #18

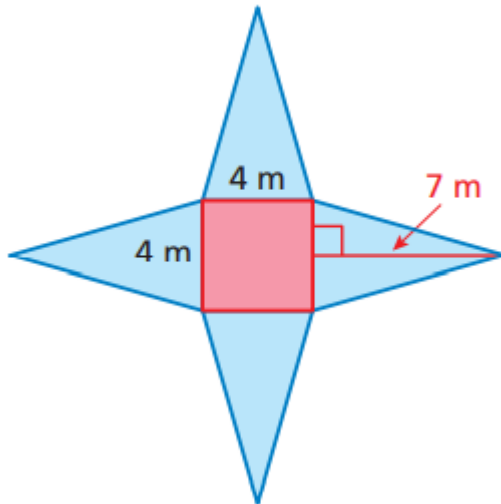
6. Find the surface area of the rectangular pyramid.



The surface area is  square meters.

Grade 6 Accel: FL 2023>Chapter 10>Section 10.7: Surface Areas of Rectangular Pyramids>10.7: In-Class Practice (5 - 7)> Question #7

7. Find the surface area of the pyramid represented by the net.

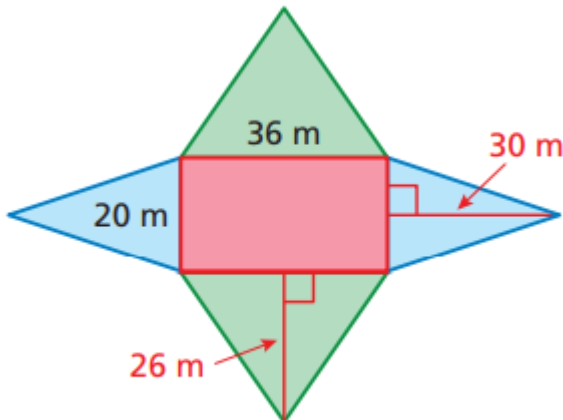


The surface area is  square meters.

Grade 6 Accel: FL 2023>Chapter 10>Section 10.7: Surface Areas of Rectangular Pyramids>10.7: Practice (8 - 23)> Question #11

---

8. Find the surface area of the pyramid represented by the net.

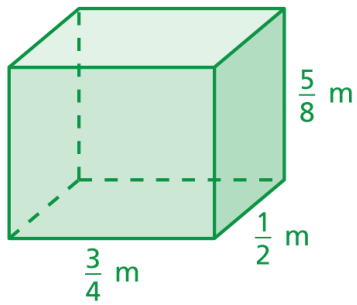


The surface area is  square meters.

Grade 6 Accel: FL 2023>Chapter 10>Section 10.7: Surface Areas of Rectangular Pyramids>10.7: Practice (8 - 23)> Question #12

---

9. Find the volume of the prism.

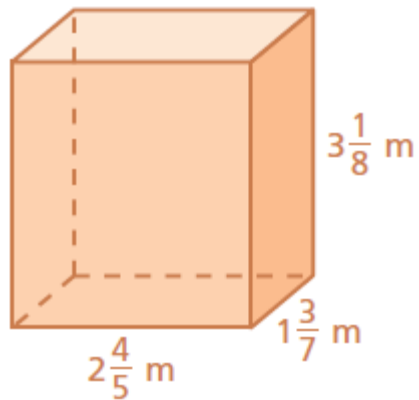


The volume is  cubic meters.

Grade 6 Accel: FL 2023>Chapter 10>Section 10.8: Volumes of Rectangular Prisms>10.8: In-Class Practice (5 - 8)> Question #7

---

10. Find the volume of the prism.



The volume is  cubic meters.

Grade 6 Accel: FL 2023>Chapter 10>Section 10.8: Volumes of Rectangular Prisms>10.8: Practice (6 - 25)> Question #14

---