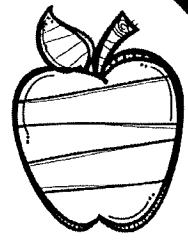


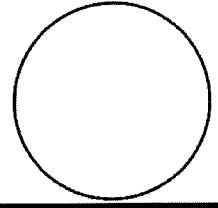
# Homework Log



Week of: September 15th. -19th.

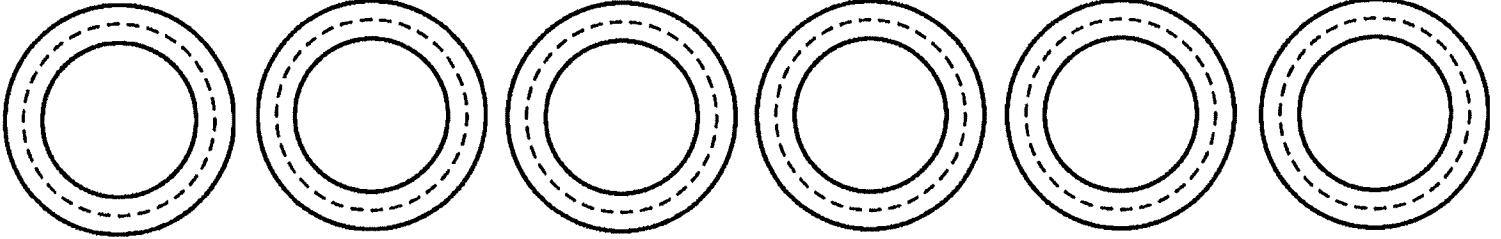
Day	Homework	Reminders
Monday 9/15	Shapes Superstars (trace, find/color, tap/say, sort/draw)	*Theme: My Family
Tuesday 9/16	Sorting by color (yellow & green)	
Wednesday 9/17	Write your name 4 times & draw a picture	
Thursday 9/18	Number 3: Trace/write, color, show on the 10 frame, color 3 stars	
Friday 9/19		

NAME \_\_\_\_\_

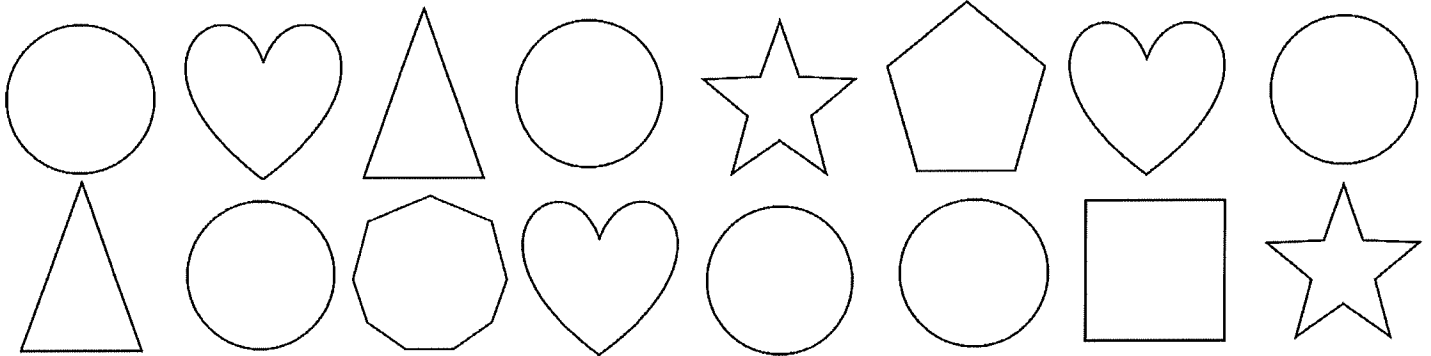


# SHAPES SUPERSTARS

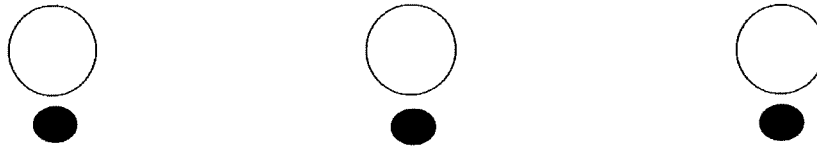
## 1 TRACE



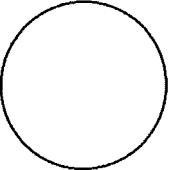
## 2 FIND AND COLOR



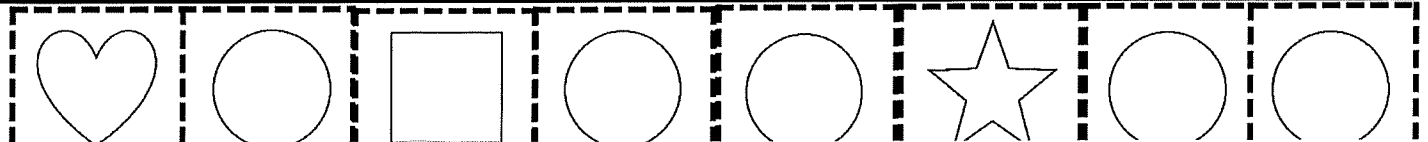
## 3 TAP AND SAY THE SHAPE



## 4 SORT (CUT & PASTE ONLY THIS SHAPE)

## 5 DRAW





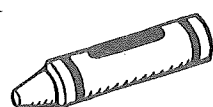
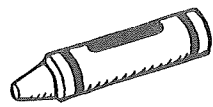
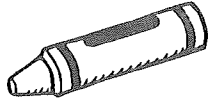
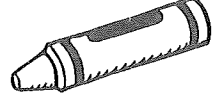
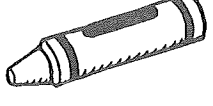
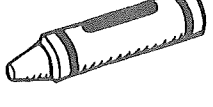
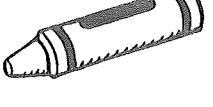
Name \_\_\_\_\_

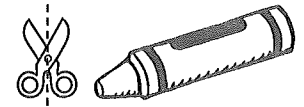
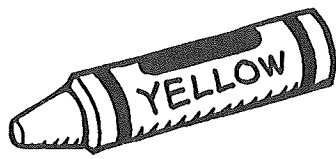
# Sorting by Color

P 1-7

## Sorting Crayons by Color



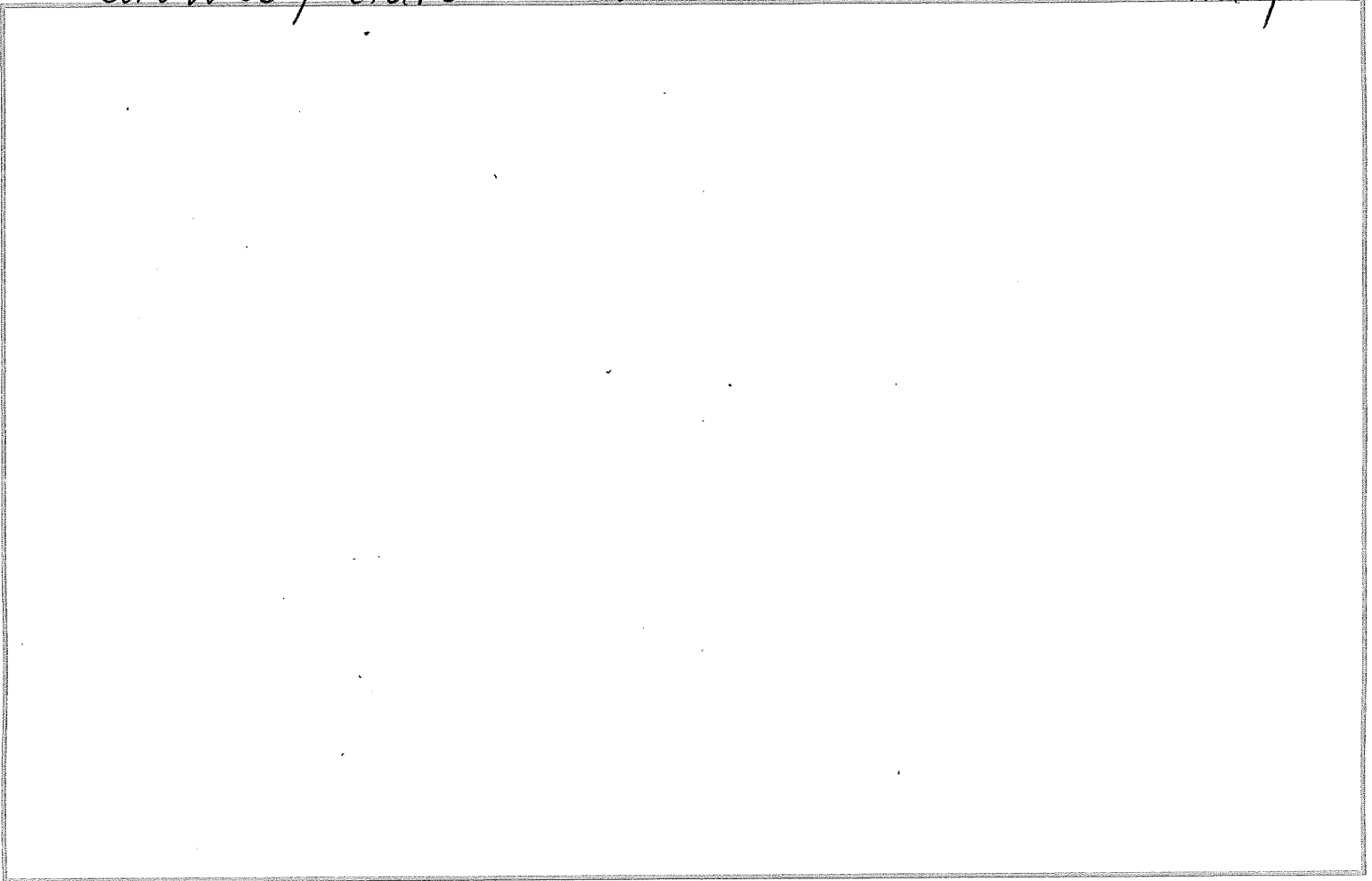










**Directions** Have children color some crayons yellow and the rest green. Have them sort and glue the cutouts onto the chart.

draw a picture, color

Monday



write your name 4 times



1.



2.



3.



4.

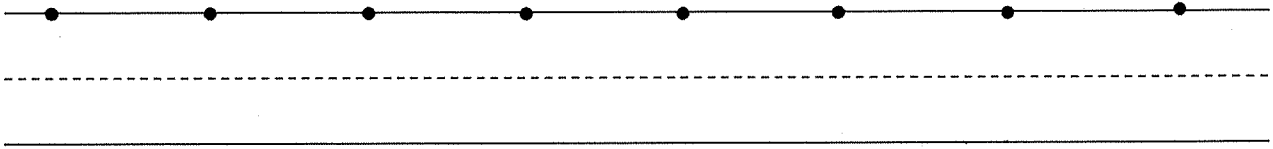
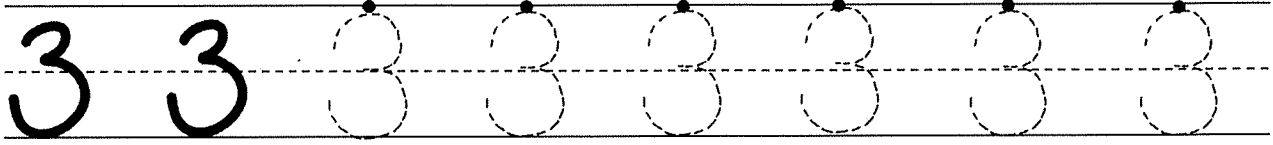


Name \_\_\_\_\_ Date \_\_\_\_\_



# Numbers Practice

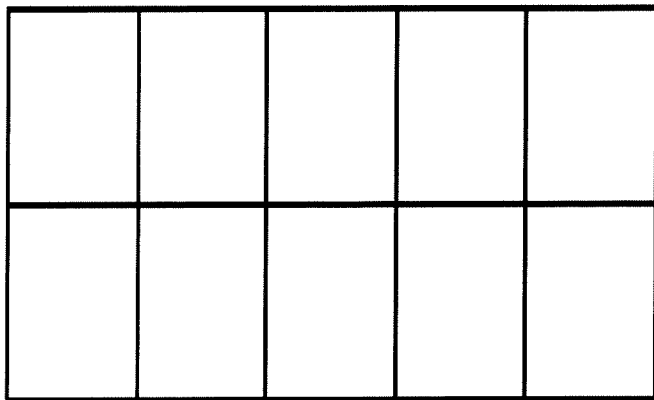
Trace and write the number.



Color the number word.

# three

Show the number on the ten frame.



Color 3 stars.

